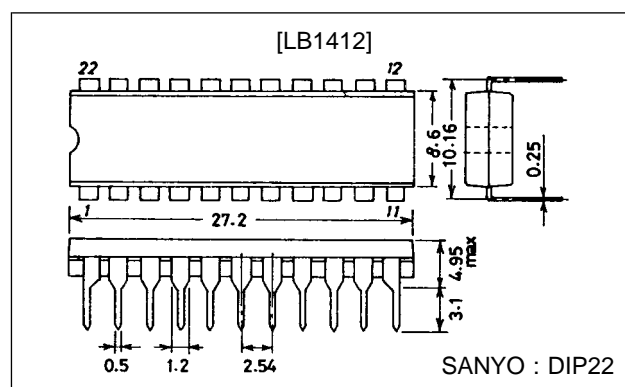


**LB1412****Level Meter Driver for 12 LEDs****Functions and Features**

- Bar-shaped display of input level by means of 12 LEDs
- High-order 5 dots with peak hold
- Built-in oscillator for peak hold reset. Requires 1 pce. each of external C, R. Uses either oscillator at the time of stereo operation. Capable of also resetting manually.
- Capable of constant-current driving low-order 7 dots (green LED). Constant-current value variable with an external resistor
- Lower current drain available by connecting green LEDs in series
- Built-in input amplifier
- Requires no other light-up level adjustment than adjustment for 0 dB. D1 error: within ± 3 dB of 20 dB
- Supply voltage range : 10 to 16 V

Package Dimensions

unit : mm

3010A-DIP22**Specifications****Absolute Maximum Ratings at $T_a = 25^\circ\text{C}$**

| Parameter | Symbol | Pin No. | Conditions | Ratings | Unit |
|-----------------------------|----------------------|---------|--------------------------|-------------|------------------|
| Maximum supply voltage | $V_{CC \text{ max}}$ | 15 | | -0.3 to +18 | V |
| Output current | I_{OL} | 1 to 5 | D8 to D12, output on | 30 | mA |
| Allowable power dissipation | $P_d \text{ max}$ | | $T_a = 60^\circ\text{C}$ | 650 | mW |
| Operating temperature | T_{opr} | | | -30 to +75 | $^\circ\text{C}$ |
| Storage temperature | T_{stg} | | | -40 to +125 | $^\circ\text{C}$ |

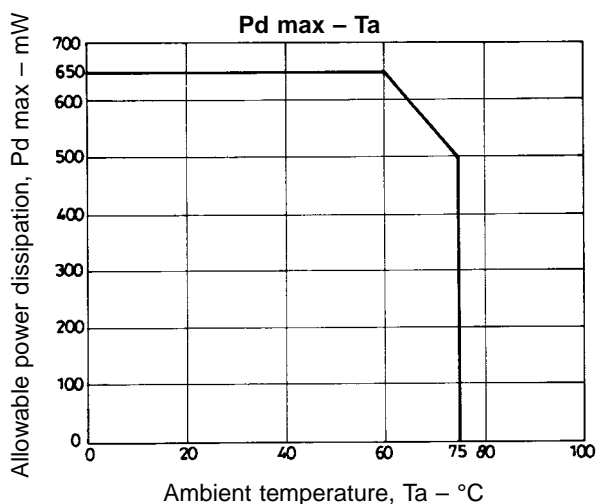
Allowable Operating Range at $T_a = 25^\circ\text{C}$

| Parameter | Symbol | Conditions | Ratings | Unit |
|----------------|----------|------------|----------|------|
| Supply voltage | V_{CC} | | 10 to 16 | V |

LB1412

Electrical Characteristics at Ta = 25°C, VCC = 12 V

| Parameter | | Symbols | Pin No. | Conditions | min | typ | max | Unit |
|---------------------------|------------------|-------------------|--------------------------|---|--------|-------|--------|-------|
| Input bias current | Amp (1) | I _{BI1} | 7 | | -3 | -0.2 | 0 | μA |
| Output saturation voltage | Amp (1) | V _{OH01} | 8 | Pins 8, 9 short | 10.5 | 11.2 | 11.6 | V |
| | Amp (1) | V _{OL01} | 8 | Pins 8, 9 short | 1.0 | 1.5 | 2.0 | V |
| Voltage gain | Amp (1) | V _{GA1} | | | 30 | 100 | | dB |
| Input resistance | Amp (2) | R _{IN2} | 9 | | 8 | 12 | 16 | kΩ |
| Load resistance | Amp (2) | R _{O2} | 10 | | 35 | 50 | 65 | kΩ |
| Output current | Amp (2) | I _{OL02} | 10 | | 3 | 6 | 12 | mA |
| Voltage gain | Amp (2) | V _{GA2} | | | 1.8 | 2.0 | 2.2 | times |
| Output current | | I _{OL} | 19, 22 | D1, D5 : 3 kΩ across V _Z and I _{LED} | 13 | 17 | 20 | mA |
| Output saturation voltage | | V _{sat} | 17, 18, 19, 21, 22 | D2 to D4, D6 to D7 : Output Transistor on across V _Z and I _{LED} | | 1.0 | 1.3 | V |
| | | V _{sat} | 1 to 5 | D8 to D12 : I _{OLD1} to D5 = 30 mA | | 1.5 | 2.0 | V |
| Output leak current | | I _{off} | 19, 22 | D1, D5 : output transistor off | 0 | | 30 | μA |
| | | I _{off} | 1 to 15 | D8 to D12 : output transistor off | 0 | | 30 | μA |
| Comparator level | D8 | V _{THD8} | 1 | D8 : Voltage to turn on D8 by applying DC voltage across V _Z and I _{NZ} | -0.625 | -0.55 | -0.465 | V |
| | D1 | G _{D1} | 16 | D8 light-up level : 0 dB | -23 | -20 | -17 | dB |
| | D2 | G _{D2} | 17 | D8 light-up level : 0 dB | -17 | -15 | -13 | dB |
| | D3 | G _{D3} | 18 | D8 light-up level : 0 dB | -12 | -10 | -8 | dB |
| | D4 | G _{D4} | 19 | D8 light-up level : 0 dB | -8 | -7 | -6 | dB |
| | D5 | G _{D5} | 20 | D8 light-up level : 0 dB | -6 | -5 | -4 | dB |
| | D6 | G _{D6} | 21 | D8 light-up level : 0 dB | -4 | -3 | -2 | dB |
| | D7 | G _{D7} | 22 | D8 light-up level : 0 dB | -1.5 | -1 | -0.5 | dB |
| | D9 | G _{D9} | 2 | D8 light-up level : 0 dB | 0.5 | 1 | 1.5 | dB |
| | D10 | G _{D10} | 3 | D8 light-up level : 0 dB | 2 | 3 | 4 | dB |
| | D11 | G _{D11} | 4 | D8 light-up level : 0 dB | 4 | 5 | 6 | dB |
| D12 | G _{D12} | 5 | D8 light-up level : 0 dB | 7 | 8 | 9 | dB | |
| Reference voltage | | V _Z | 12 | 3 kΩ across V _Z and I _{LED} | 5.6 | 6.3 | 6.8 | V |
| R pin flow-out current | | I _{OLR} | 11 | V _R = 0 V, OSC pin: open | -0.6 | -0.3 | -0.1 | mA |
| R pin voltage | | V _R | 11 | OSC pin: open | 0.4 | 0.7 | 0.9 | V |
| Oscillation frequency | | f _{OSC} | 13 | 1 MΩ, 2.2 μF across V _{CC} and V _Z | 1.5 | 2 | 2.5 | s |
| Current drain | | I _{CC} | 15 | 3 kΩ across V _Z and I _{LED} , all D outputs off | | 9 | 15 | mA |

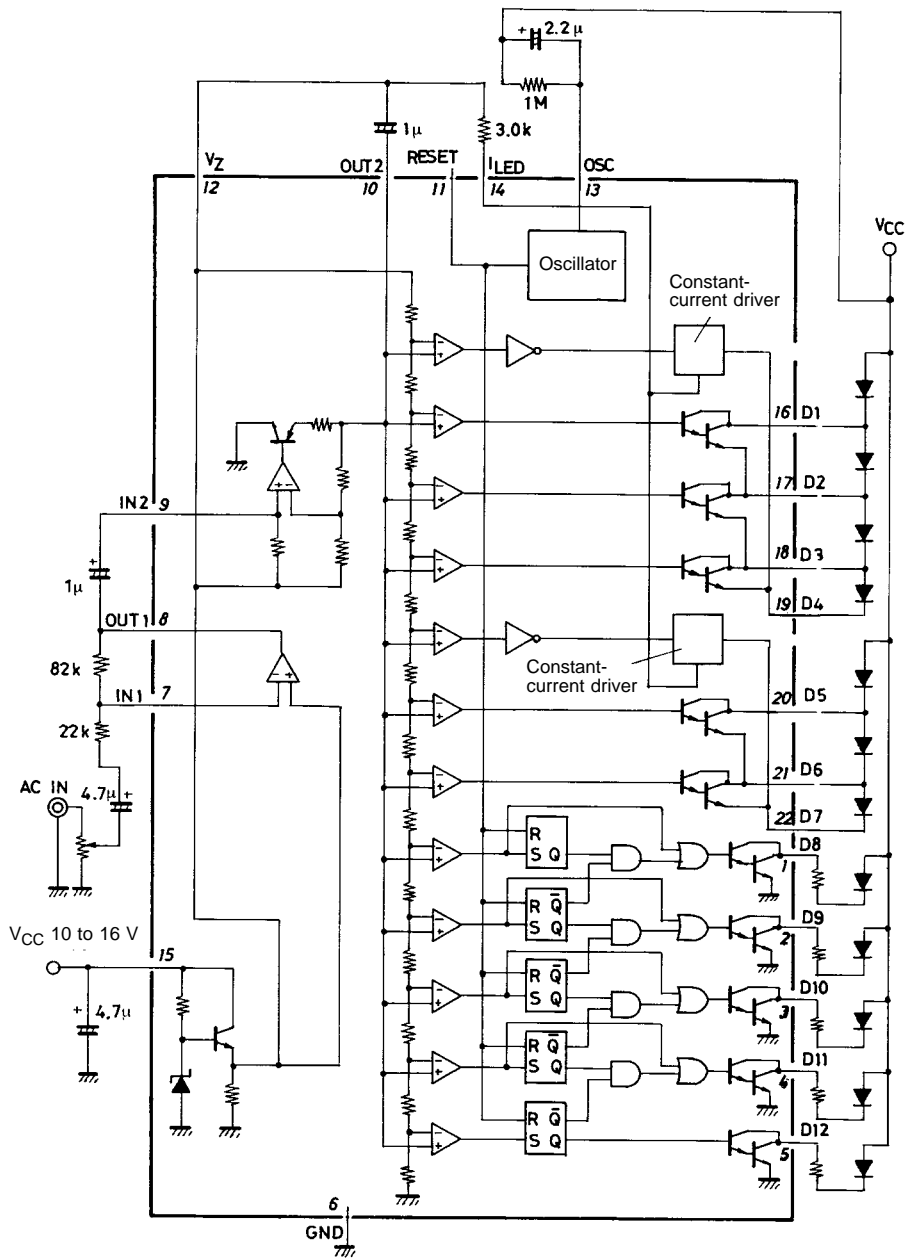


LB1412

Pin Assignment

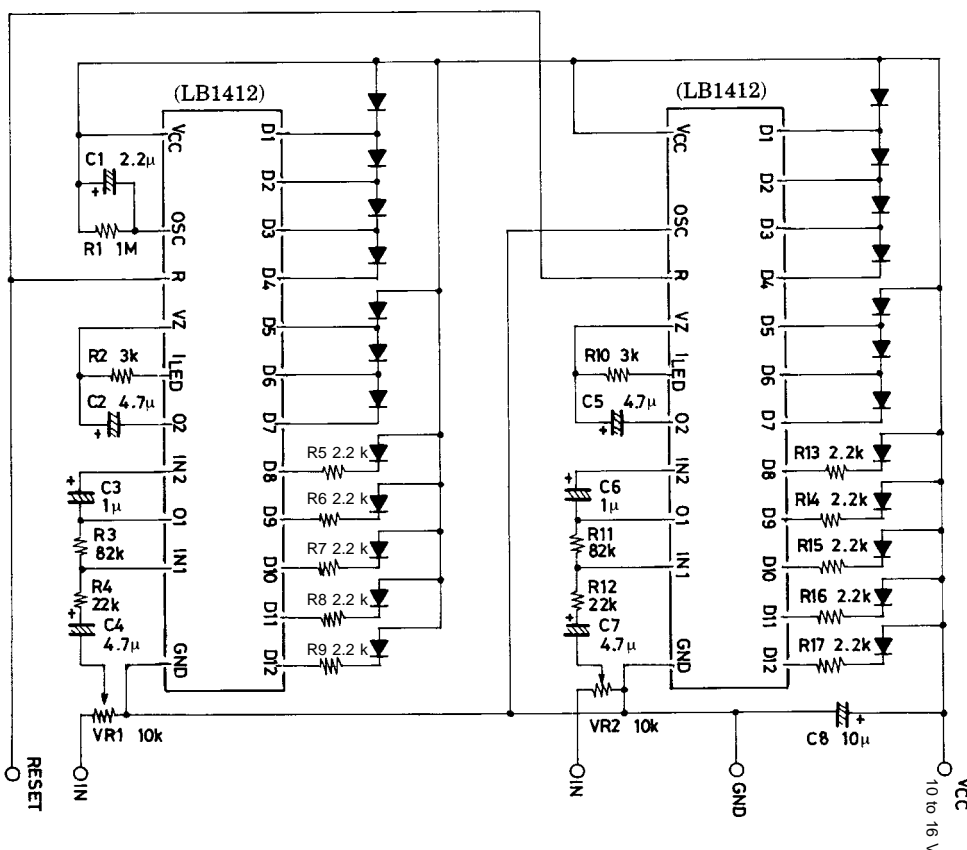


Equivalent Circuit Block Diagram



Unit (resistance: Ω , capacitance: F)

Sample Application Circuit



Note : Input signal of approximately 110 mVrms causes D8 (0 dB display) to light.

Unit (resistance: Ω, capacitance: F)

For sample application circuit:

1. The LB1412 consists of the following blocks.
 - Input amp 1 : Amplification of input signal, variable with external constants
 - Input amp 2 : Amplification of signal (fixed, double), detection of signal
 - Reference voltage : Reference voltage of comparator, constant-current drive of LED
 - Comparator : Comparison of input voltage
 - LED driver : LED drive, D1 to D7 : Constant-current drive
 - Peak hold circuit : Hold of highest-order point of high-order 5 points (D8 to D12)
 - Oscillator for peak hold reset : Peak hold circuit reset

2. Description of constants of each block

2-1 R3, R4 (R11, R12)

The gain of amp 1 depends on R3, R4. Gain of amp 1 = R3/R4 times. The gain of amp 1 must not exceed 4 times (12 dB).

$$R3 + R4 \approx 100 \text{ k}\Omega \quad (C4 = 4.7 \text{ }\mu\text{F})$$

2-2 C2, C3 (C5, C6)

C3 is for coupling amp 1 with amp 2 and its value is 1 µF. C2 is for controlling the time to turn off LED.

2-3 R2 (R10)

The current of LEDs connected to D1 to D7 depends on R2. The current is stabilized to be approximately 17 mA at R2 = 3 kΩ and approximately 11 mA at R2 = 4.7 kΩ.

2-4 R5 to R9 (R13 to R17)

The current of LEDs connected to D8 to D12 depends on these resistors. D8 to D12 pins are collectors of Darlington transistors.

$$I_{D8 \text{ to } D12} = \frac{V_{CC} - V_{\text{sat } D8 \text{ to } D12} - V_{\text{FLED}}}{R5 \text{ to } 9} \approx \frac{V_{CC} - 3.5 \text{ V}}{R5 \text{ to } 9}$$

$I_{D8 \text{ to } D12}$ is approximately 4 mA at R5 to 9 = 2.2 kΩ

LB1412

2-5 Reset pin (Pin 11)

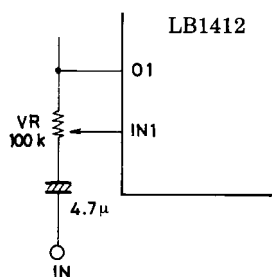
When the reset pin is open, peak hold of D8 to D12 occurs. When the reset pin is connected to GND, reset occurs. Connecting the reset pin to GND causes no peak hold.

2-6 C1, R1

The oscillation cycle of oscillator depends on the product of C1 and R1. The oscillation cycle at $C1 = 2.2 \mu\text{F}$, $R1 = 1 \text{ M}\Omega$ is approximately 2 seconds. However, if an electrolytic capacitor is used for C1, the actual capacitance differs from the marked value.

2-7 Reduction in number of parts

R3, R4, VR1 are substituted by one VR.



Unit (resistance: Ω , capacitance: F)

- No products described or contained herein are intended for use in surgical implants, life-support systems, aerospace equipment, nuclear power control systems, vehicles, disaster/crime-prevention equipment and the like, the failure of which may directly or indirectly cause injury, death or property loss.
- Anyone purchasing any products described or contained herein for an above-mentioned use shall:
 - ① Accept full responsibility and indemnify and defend SANYO ELECTRIC CO., LTD., its affiliates, subsidiaries and distributors and all their officers and employees, jointly and severally, against any and all claims and litigation and all damages, cost and expenses associated with such use:
 - ② Not impose any responsibility for any fault or negligence which may be cited in any such claim or litigation on SANYO ELECTRIC CO., LTD., its affiliates, subsidiaries and distributors or any of their officers and employees jointly or severally.
- Information (including circuit diagrams and circuit parameters) herein is for example only; it is not guaranteed for volume production. SANYO believes information herein is accurate and reliable, but no guarantees are made or implied regarding its use or any infringements of intellectual property rights or other rights of third parties.

This catalog provides information as of May, 1996. Specifications and information herein are subject to change without notice.